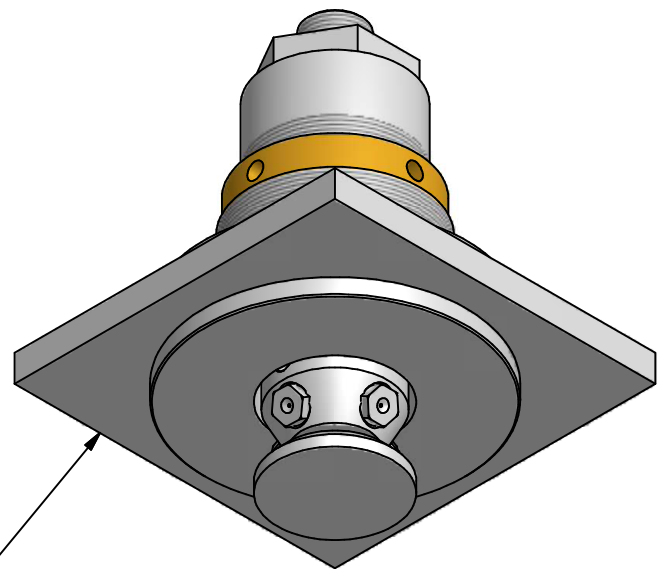
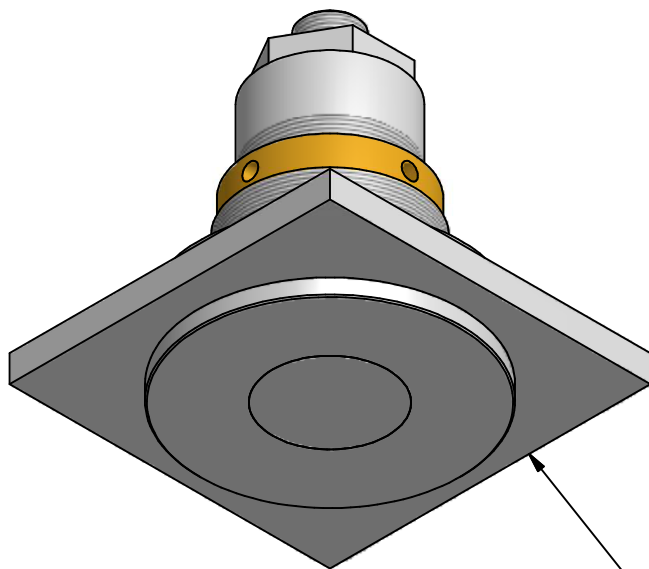
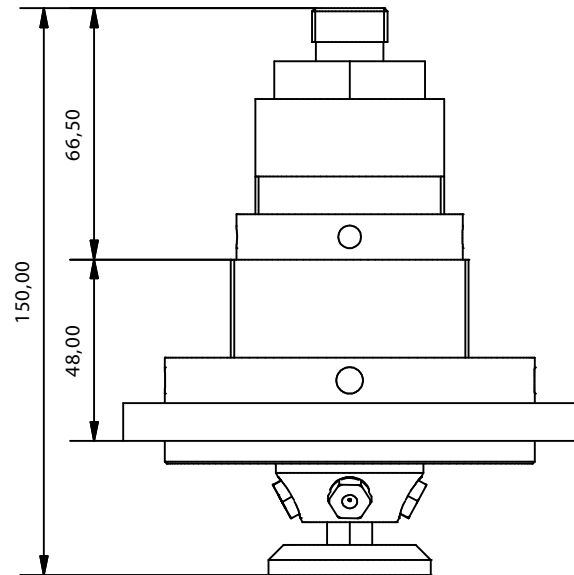
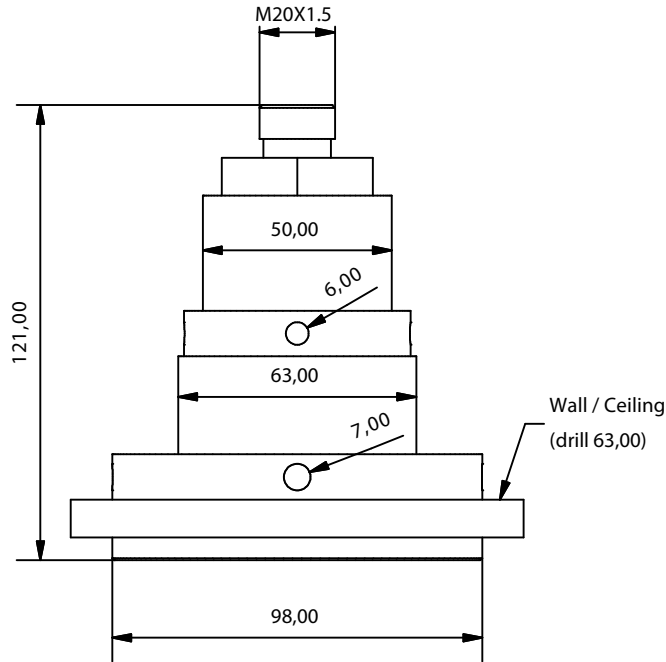


AUTOMATIC DIFFUSER PROTECTOR

AN/CPA


 Wall / Ceiling
 (drill 63,00)

Specifications	
Name	Value
Body material	AISI 303 Stainless steel
Trim material	Aluminum
Embellishing finis	Colorless anodized


 Av. Alfonso Peña Boeuf, 6 y 9
 28022 MADRID - ESPAÑA
 TEL: +34 913121656
 FAX: +34 913295820

DATA SHEET
AUTOMATIC PROTECTOR MICROAQUA DIFFUSERS

Description: Element used to protect the diffuser until the moment of discharge in conflictive areas such as cells, also used for aesthetic reasons in places where it is required. Designed both for installation in false ceilings and for recessing.

Token code:	Family tab:	Reference:	Drawn:	Date:	Reviewed:	Date:	Revision:	Format:
AEX-FTC-05-003	Microaqua	AN/CPA	DCM	09/09/2015	MRC	09/09/2015	1	A4